

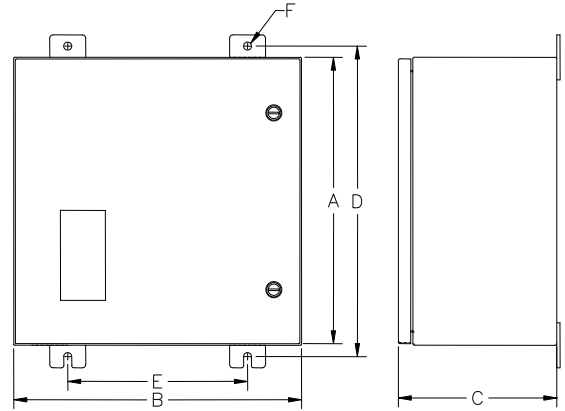


Liebert Interceptor II TVSS Technical Specification



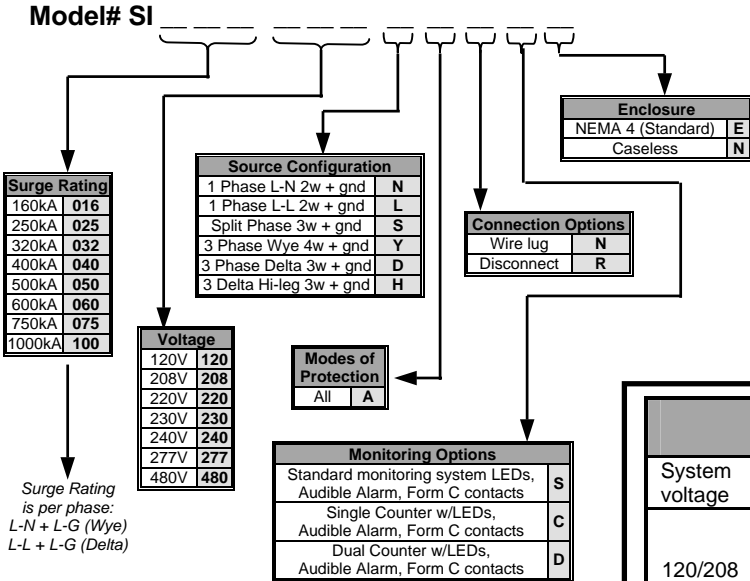
Maximum Continuous Operating Voltage (MCOV)	120V units 125%, all others 115%	
Fault Current Rating (AIC)	200 kAIC	
Operating Frequency Range	47 – 63 Hz	
50 Ω EMI/RFI Attenuation	100 kHz	41 dB
	1MHz	31 dB
	10MHz	35 dB
	100MHz	53 dB
Response Time	<0.5 ns	
Operating Humidity	0% to 95%	
Status Indication	LEDs, Dry Contacts, Audible Alarm	
Certifications	UL 1449 & 1283, CE, CUL	
Enclosure	NEMA 4	
Warranty	10-Years Parts / 5-Years Labor	

Dimensional data in inches and shipping weight in pounds								
Surge	Connection	A	B	C	D	E	F	Weight
160kA to 250kA	Wire lugs	16	12	9	17.25	9.5	0.44	35
	Disconnect	16	16	9	17.25	10	0.44	45
320 kA to 500 kA	Wire lugs	16	16	9	17.25	10	0.44	45
	Disconnect	20	16	9	21.25	10	0.44	55
600 kA to 750 kA	Wire lugs	20	16	9	21.25	10	0.44	55
	Disconnect	20	20	9	21.25	14	0.44	85
1,000 kA	Wire lugs	20	20	9	21.25	14	0.44	85
	Disconnect	20	24	9	21.25	18	0.44	95



Life Cycle Surge Testing 10kA, 20kV, IEEE Cat. C3		
Unit	Per Mode	Per Phase
160-250 kA	15,000	30,000
320-500 kA	30,000	60,000
600-700kA	45,000	90,000
1000 kA	60,000	120,000

Example Part Number: **SI100277YARDE** = 1000kA per Phase, 277/480V 3-Phase Wye, All Mode, Rotary Disconnect, LED's, Alarm & Dual Counters, NEMA 4 Enclosure



UL 1449 second edition clamping data					
Voltage	L-N	L-G	L-L	N-G	
120/208	330	400	600	400	
120/240	330	400	600	400	
240	X	800	800	X	
277/480	700	800	1200	600	
480	X	1200	1500	X	

NEMA LS 1 test data (without disconnect / with disconnect)						
System voltage	Mode	B3 Ringwave	6kv/500A Comb. Wave	B3/C1 Comb. Wave	C3 Comb. Wave	
120/208	L-N	328/344	308/312	376/376	452/536	
	L-G	340/348	320/316	364/368	444/584	
	L-L	464/448	576/568	680/652	792/832	
	N-G	344	284	344	468	
277/480	L-N	520/536	532/528	800/800	912/952	
	L-G	736/760	688/688	760/776	840/896	
	L-L	736/776	720/728	1480/1416	1656/1600	
	N-G	736	648	760	896	

Job Name _____

Model# _____

Date _____

Qty _____

Quote# _____

